

2-Channel HD-SDI/3G-SDI Video over Fiber Converter, 1080P

➤ Features

- Support 2 channel of HD-SDI/3G-SDI signal transmission through one optical fiber;
- Comply with DVB-ASI, SMPTE424M, SMPTE292M, and SMPTE259M (C) standards;
- Extends uncompressed multi-rate 3G-SDI, HD-SDI or SD-SDI video over fiber;
- Support clock recovery, clock shaping;
- Supports embedded digital audio stream;
- Single-Mode Fiber Support for Distances up to 60 km;
- Real-Time Video Transmission for Exceptional Quality and Resolution;
- LED Status Provide Rapid Indication of Operating Parameters;
- No EMI or RFI and no ground loops;
- Support hot swap,stand alone or rack-mount;
- Can be produced according to customer requirements and OEM is available;
- Support power supply DC5V;
- Wide range of operational temperature (-20°C ~75°C);
- Warranty: 3 years;



➤ Introduction

UPCOM 3G-SDI0200 video digital optical converter adopts international advanced all-digital gigabit optical fiber transmission technology, 2 Channel HD-SDI/3G-SDI video signal can be transmitted through 1 fiber with non- Distortion, high-quality, long-distance transmission.This series of video to fiber converter has Stable performance, clear picture quality., and high Stability with LED Status Indication on the body of device. The working status of devices can be visually observed. At the same time, the switch value, voltage, working status and other reverse useful signal information can be controlled by RS485 or RS232.This makes our devices more flexible to meet different customers requirements.

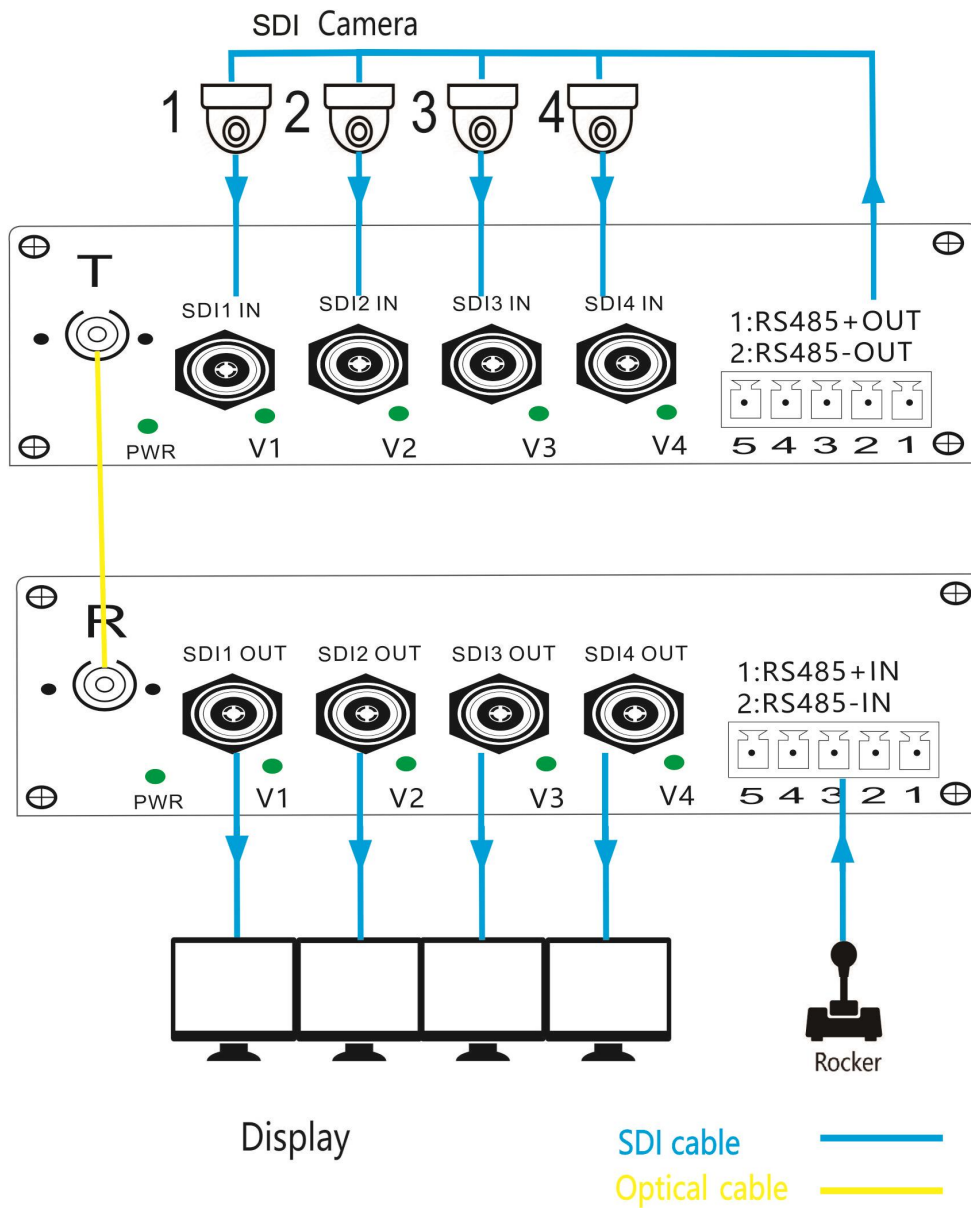
➤ Application

- HD monitor transmission and power supply
- Security protection system, TV medical treatment
- Network telephone transmission, Intelligent house and home system
- Intelligent transportation supervisory system (ITS)
- High-speed Way supervisory/Tele-Communication System
- Long-distance Multi-media Schooling, Campus monitoring
- Long-distance broadcast television transmission system
- High-building Security Protection, Military Tele-Com project
- Smart City

➤ Specification

Fiber Optical	
Wavelength	1310nm&1470nm-1610nm
Fiber Type	Single mode, single fiber(default)
Distance	Maximum up to 60km
Fiber Interface	FC(default) LC/SC/ ST (optional)
SDI Video	
Video Interface Number	2
Physical Interface	BNC
Max Resolution	1920 x 1080 @ 60Hz
Video Input and Output Impedance	75Ω (unbalanced)
Video Input/output Voltage	Typical:1Vpp,Min 0.5Vpp, Max 1.5Vpp
Video Bits Rate	Max 2.97Gb/s
Video SDI standard	270Mbps(SD-SDI),1.485Gbps/M(HD-SDI),SMPTE425M3Gb/s Mapping(3G-SDI),SMPTE424M 3Gb/s serial interface(3G-SDI)
Data	
Physical Interface	The industry standard connecting terminal
Interface Signal	RS485/RS422/RS232/Manchester
Baud Rate	0-400Kbps
BER	<10 ⁻⁹
Operation Mode	Full duplex / half duplex
Electrical & Mechanical	
Power supply	DC 5V
Power Adapter	AC 100V~240V
Dimensions	167*192*49 mm
Packing	345*210*90 mm
Weight	1.35kg
Operating temperature	-20°C ~ +75°C
Storage temperature	-40°C ~ +85°C
Relative Humidity	0%~95% (no condensation)
MTBF	100,000 hours
Warranty	3 Years

➤ Application



➤ Ordering Information

Model NO.	Description
3G-SDI0101	1 channel forward 3G-SDI video +1-channel Reverse RS485, 1080P, DC5V
3G-SDI0201	2 channel forward 3G-SDI video +1-channel Reverse RS485, 1080P, DC5V
3G-SDI0401	4 channel forward 3G-SDI video +1-channel Reverse RS485, 1080P, DC5V
3G-SDI0801	8 channel forward 3G-SDI video +1-channel Reverse RS485, 1080P, AC220V
3G-SDI1601	16 channel forward 3G-SDI video +1-channel Reverse RS485, 1080P, AC220V

➤ Packing List

- 3G SDI Video Over Fiber Converter *1
- User manual * 1
- Certificate of quality * 1
- Warranty card * 1