



◆ VGA To Fiber Converters with 1 audio+1 RS232, 3G, Uncompressed

➤ Features

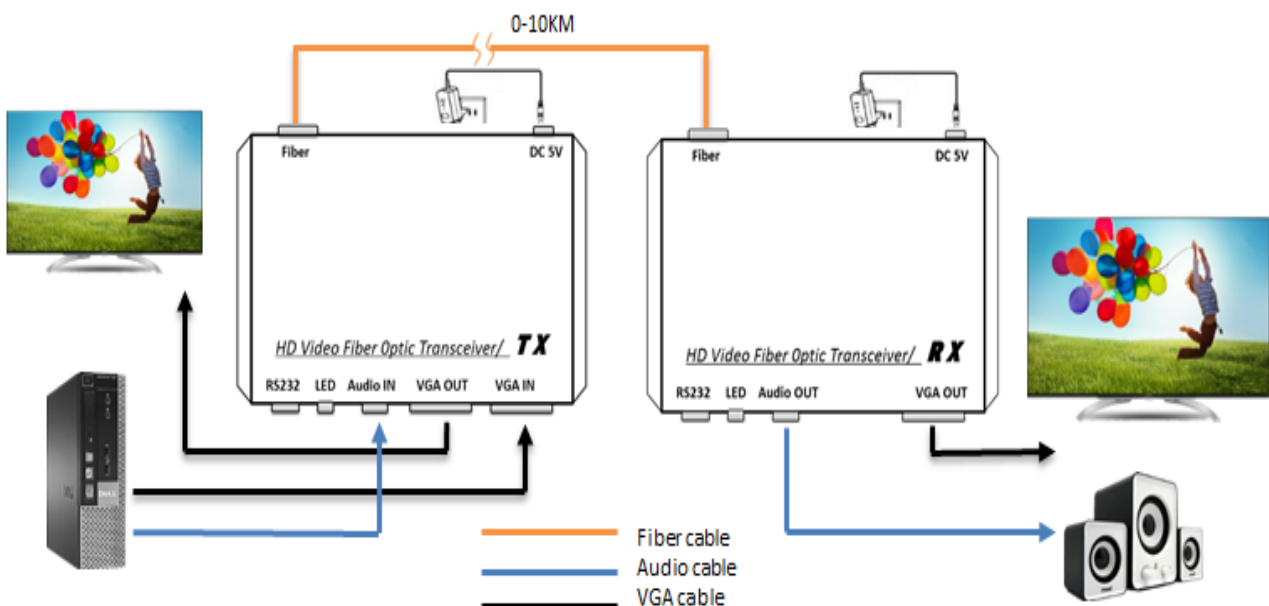
- Transmits VGA video signals up to 10km over one fiber optic cable
- Support video resolution up to 1920*1080P@60Hz
- Support external stereo audio unidirectional transmission
- Support transmitter one channel signal output
- Support RS232 signal unidirectional transmission, baud rate self-adaptive
- High compatibility, can auto-match source and display device
- Built-in automatic adjustment system, make the image smooth, clear and stable
- Built-in ESD protection system
- Simple to install, plug and play



➤ Introduction

The VGA0111-3G Fiber optic extender provides extension of VGA signals long distances over one fiber optic cable, it supports high resolution up to 1080P, transmitter local output, RS232 signal and external audio transmission function. The extender can use for a wide range of applications requiring long distance transmission of high resolution with high quality by its good stability and powerful security.

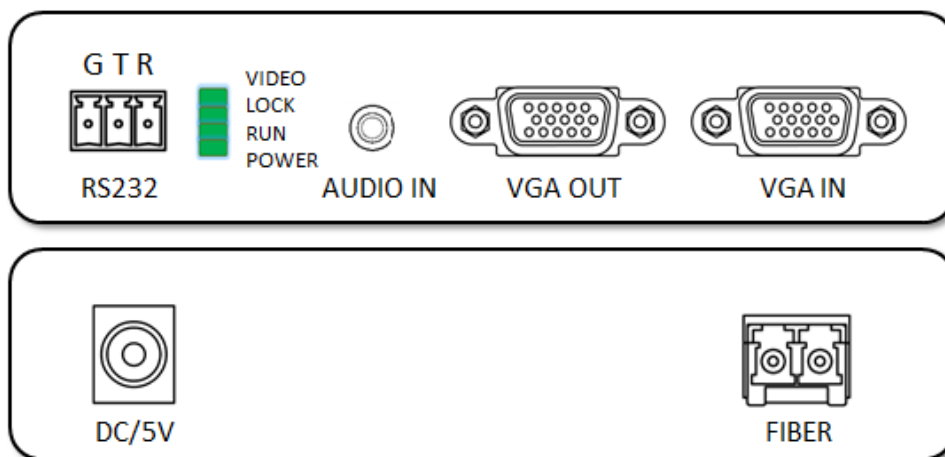
➤ Application



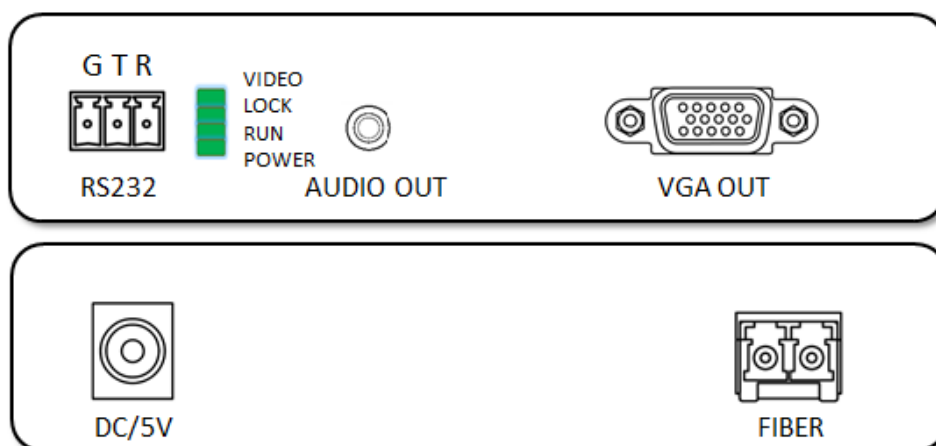
➤ Specification

| Video | |
|-----------------------|---|
| Standards | VGA |
| Maximum pixel clock | 380MHz |
| Resolution | 1920x1200@60Hz / 1920x1080@60Hz 1600x1200@60Hz / 1680x1050@60Hz 1280x1024@60Hz / 1280x1024@75Hz 1280x800@60Hz / 1280x768@60Hz 1280x720@60Hz / 1024x768@60Hz / 1024x768@75Hz 800x600@60Hz / 800x600@75Hz |
| Impedance | 75Ω |
| Audio | |
| Interface | 3.5mm earphone seat |
| Format | 44.1K,48K,96K,176K,192K |
| Signal type | Stereo |
| RS232 | |
| Interface | Industrial terminal |
| Signal direction | Unidirectional |
| Baud rate | Self-adaptive, Max: 115200bps |
| Data bits | 8 |
| Optical fiber | |
| Interface | LC connector |
| Fiber type | Single-mode, single fiber |
| Wavelength | Single-mode 1310nm |
| Interface bandwidth | 3Gbps |
| Transmission distance | 10Km |
| Other | |
| Power supply | DC 12V |
| Power dissipation | MAX 6W |
| Temperature | Operating: -5°C ~ +70°C |
| Humidity | Operating: 5% ~ 90% |
| Dimension | 155*115*30mm |
| The warranty | 1 year free warranty |

➤ Panel



Transmitter



Receiver

➤ Packing List

- VGA optical fiber transmitter ×1
- VGA optical fiber receiver ×1
- Fiber optic module×2
- Power adapter×2
- User manual ×1