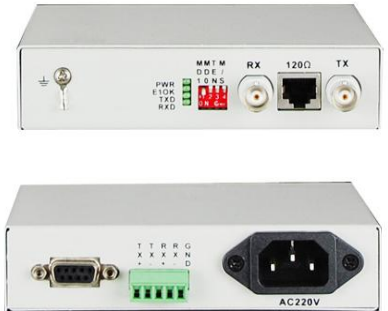




## ◆ E1-RS232/RS422/RS485 Converter

### ➤ Features

- Based on self -copyright IC
- Support 3 interfaces RS232,RS422,RS485, you can only use one, cannot use the three interfaces at the same time
- Have the ability to automatically detect the baud rate of serial port signal
- Automatically test the reason of the device matt is that the device is power off, or E1 line is broken. And then indicate on the LED.
- Serial port interface lightning-protection reached IEC61000-4-5 (8/20 $\mu$ S)  
DM(Differential Mode): 6KV,Impedance (2 Ohm),CM(Common Mode): 6KV, Impedance (2 Ohm) standard
- Provide 2 impedances: 75 Ohm unbalance and 120 Ohm balance;
- Support SNMP Network Management;
- Serial channel can transmit adaptable serial data asynchronously 300 Kbps-921.6Kbps baud rate
- Serial data multiplexing in E1 support ITU-T R.111 jumping coding mode



### ➤ Introduction

This interface converter is based on FPGA, providing 1Channel RS232/485/422 transmission on E1 interface. The product breaks through contradictions between traditional serial interface communication distance and communication rate,besides, it also can solve electromagnetic interference, ground ring interference and lightning damage. The device greatly improves reliability, security and confidentiality of data communication. It is widely used for various industrial control, process control and traffic control occasions, especially for Bank, and Power and other sectors and systems which have special requirements of electromagnetic interference environment. RS232/RS485/RS422 channel can transmit adaptable serial data asynchronously 512kbps baud rate.

### ➤ Specification

#### E1 interface

|                     |   |
|---------------------|---|
| Interface Standard  | comply with protocol G.703                      |
| Interface Rate      | 2048Kbps $\pm$ 50ppm                            |
| Interface Code      | HDB3  |
| Impedance           | 75 $\Omega$ (unbalance), 120 $\Omega$ (balance) |
| Jitter tolerance    | In accord with protocol G.742 and G.823         |
| Allowed Attenuation | 0~6dBm  |

#### Serial interface

|          |  |
|----------|--|
| Standard | EIA/TIA-232 RS-232 (ITU-T V.28)<br>EIA/TIA-422 RS-422 (ITU-T V.11)<br>EIA/TIA-485 RS-485 (ISO/IEC8284) |
| RS-232   | RXD, TXD, Signal Ground  |
| RS-422   | TXD+, TXD-, RXD+, RXD-, Signal Ground  |

|                |  |
|----------------|--|
| RS-485 4 wires | TXD+, TXD-, RXD+, RXD-, Signal Ground                        |
| RS-485 2 wires | Data+(Correspond TX+), Data- (Correspond TX-), Signal Ground |

**Power**

|                   |                                |
|-------------------|--------------------------------|
| Power supply      | AC180V ~ 260V; DC-48V; DC +24V |
| Power consumption | ≤3W                            |

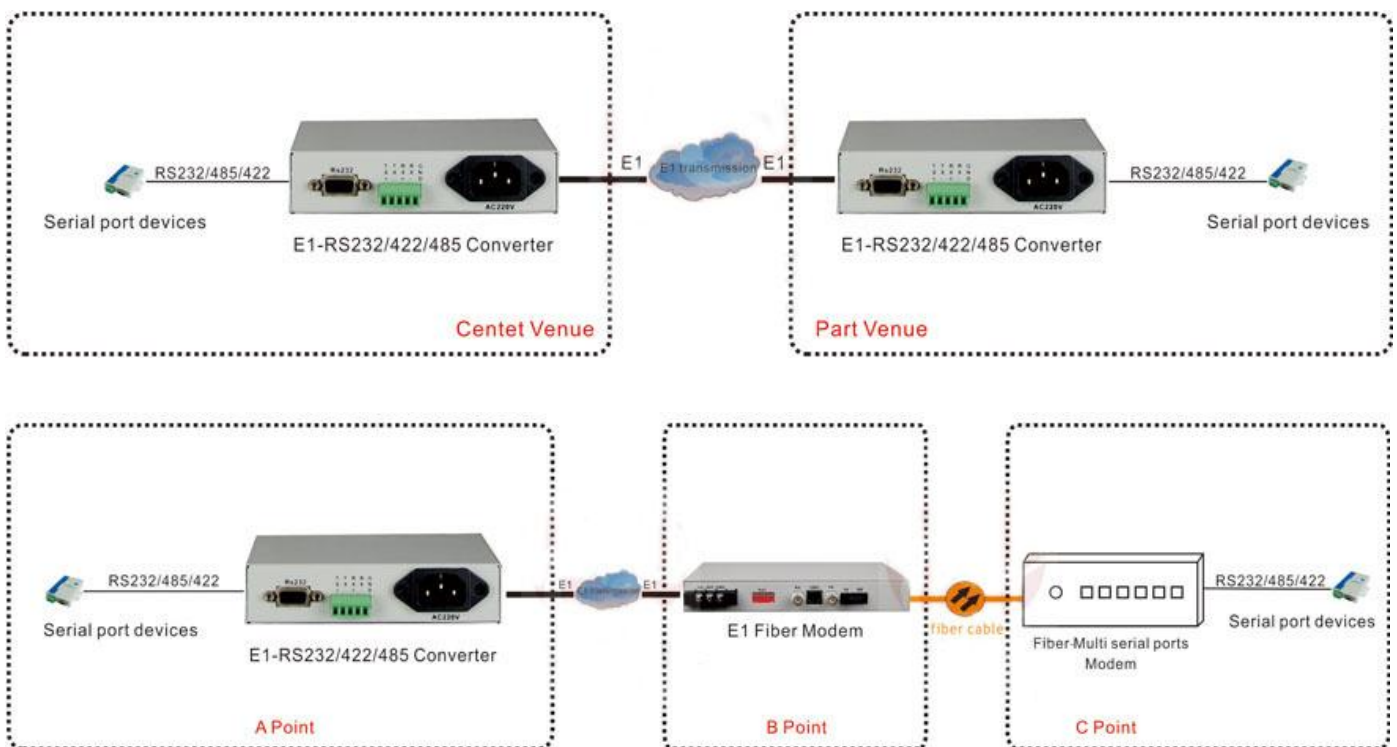
**Dimension**

|                  |                     |
|------------------|---------------------|
| Product Size     | 216*140*31mm(W*D*H) |
| Simple packaging | 274*193*84mm(W*D*H) |
| Piece Weight     | 1.2KG               |

**Working environment**

|                      |                            |
|----------------------|----------------------------|
| Working temperature: | -10° C ~ 50° C             |
| Storage temperature  | -40°C ~ 80°C               |
| Humidity             | 5% ~ 95% (no condensation) |
| Warranty             | 3years                     |

## ➤ Application



## ➤ Order information

| Model NO. | Description                                 |
|-----------|---|
| MWE10     | E1-RS232 Converter, AC220V or DC48V         |
| MWE20     | E1-RS422 Converter, AC220V or DC48V         |
| MWE30     | E1-RS485 Converter, AC220V or DC48V         |
| MWE50     | E1-RS232/422/485 Converter, AC220V or DC48V |