



Video To Fiber Converters

MWV0800 Series

◆ 8 Channels Digital Video Optic Transceiver

➤ Features

- 8-bit digitally encoded and non-compression broadcast quality video transmission
- Directly compatible with NTSC, PAL, and SECAM CCTV camera systems and support RS-232, RS-422, and RS-485 data protocols
- Support any high-resolution video signal
- Automatic compatible PAL, NTSC and SECAM video system
- Power supply and other parameter state indication, which can monitor the operation condition of system
- Support no-damage regenerative trunk of video
- Constant input optical power, and large dynamic range ,no Electrical or Optical Adjustments Required .
- Special ASIC design .
- Industry-grade of operating temperature from -10 °C to 65 °C , which is applied to the different working environment
- Hot-swap function
- Stand-alone type or card-type installed in 19"4U rack-mount chassis



➤ Introduction

UPCOM fiber-optic video transceivers MWV0800 series can simultaneously transmit 8 channels of 8-bit digitally encoded broadcast quality video/return or bidirectional data/unidirectional or bidirectional audio/Ethernet/Telephone/Dry contact over one multimode or single-mode optical fiber. These multiplexers are typically used in applications where the cameras have P/T/Z capabilities. Plug and Play design ensures the ease of installation and operation. Electronic and optical adjustments are never required, LED indicators are provided for instantly monitoring system status. Devices are available for either standalone or rack-mount installation, which is suitable for different working environment.

➤ Specification

Technical	
Video channels	8 channels
Video bandwidth	8 MHz
Automatic compatible video system	PAL, NTSC, SECAM
Video input/output impedance	75 Ω(unbalance)
Video signal-to-noise ratio	≥67dB
Differential gain	(10%-90% APL) DG <1% (typical value)
Differential phase	(10%-90% APL) DP <0.7 °(typical value)
Video connector	BNC

Fiber-optic Specification

F/O connector	FC/ST/SC
TX	Power:-15 ~ -8dBm Sensitivity :≤-35dBm
RX	Power:-15 ~ -8dBm Sensitivity :≤-35dBm
Transmission Distance	20KM (single mode)
Operating Wavelength	TX1310/RX1550nm (Transmitter); TX1550/RX1310nm (Receiver)

Custom-made options

Data

Connector	Terminal Blocks
Encoded type	RS485 / RS422 / RS232 / Manchester
Data rate	0 - 400Kbps
BER	≤10 ⁻⁹

Audio

Connector	Terminal Blocks
Audio input / output impedance	600Ω(Balance/ unbalance)
Audio input / output voltage	2Vp-p (typical value)
Audio input / output level	0dBm (typical value)
Video bandwidth	10HZ~12KHZ
Audio digital encoded bandwidth	24bit
Audio signal-to-noise ratio	S/N≥95dB (weighted)

Telephone

Connector	RJ11
Bandwidth	8KHZ
Features	Support call-showing function ;support H-F
Operating mode	Point to point hotline mode / FXS-FXO

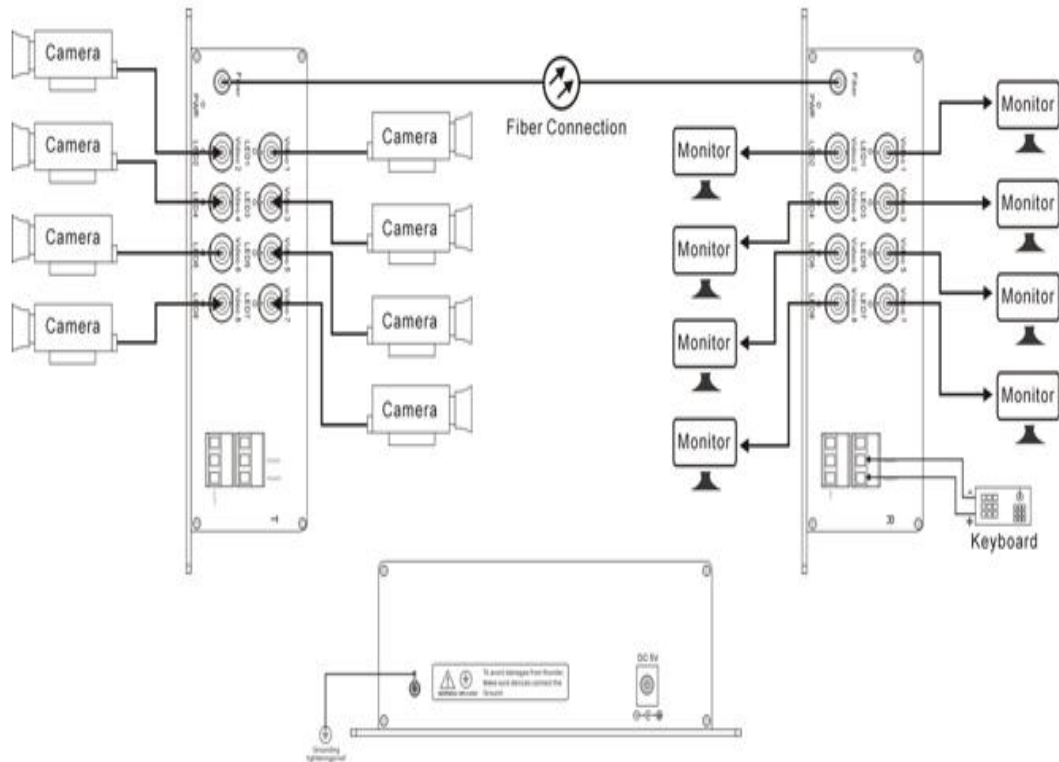
Ethernet

Connector	RJ45
Support mode	Half duplex or Full duplex
Standards	IEEE802.3
Data rate	10M / 100Mbps
Bandwidth	25M

Characteristic

Dimensions	19.2(L)×17.3(W)×2.8(H) cm
Operating Voltage	DC5V (we will offer external power supply from AC96-240V to DC5V for each unit)
Operating Temperature	-10 ℃ to +65 ℃
Storing Temperature	-45 ℃ to +85 ℃
Humidity	0 to 95% non-condensing
MTBF	≥ 10 ⁵ hours
Warranty	5 years
Approvals	FCC,CE, RoHS approvals

➤ Dimension



➤ Ordering Information

Model NO.	Description
MWV0800	8 channels positive video
MWV0801	8 channels positive video+ 1channel Reverse RS232/RS422/RS485 Data

➤ Packing List

- MWV0800 series digital video optic transceiver ×1
- User manual ×1
- 5VDC power adapter ×1